

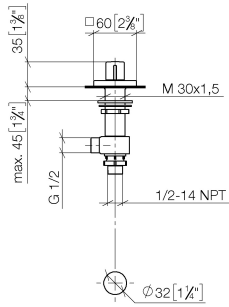
20 000 985

- hole diameter valve 32 mm
- rosette 60 x 60 mm
- with hot marking



20 000 985

mm [inches]



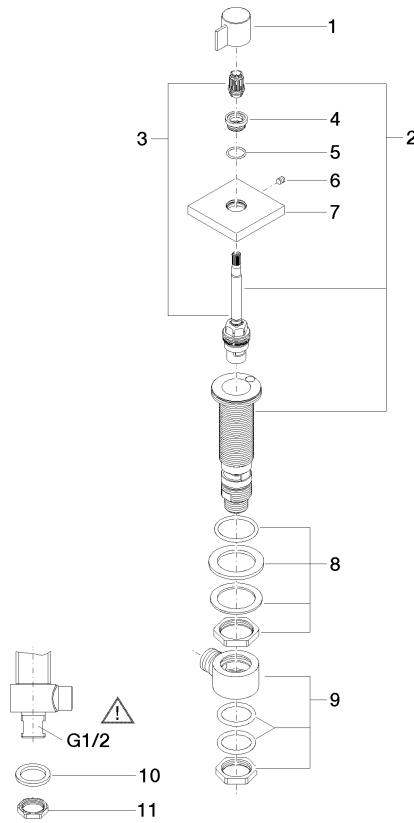
Flow rate chart



Certificates

IAPMO_4976 (5). ETA_18519. IAPMO_6397.

20 000 985



Spare parts list

| No. | Item Number | Name | Quantity used | Delivery time |
|-----|--------------------|-------------|---------------|---------------|
| 1 | 09 20 98 002-00 | handle | 1 | 10 |
| 2 | 90 17 11 045 04 90 | side panel | 1 | 2 |
| 3 | 90 90 03 204 00 90 | top | 1 | 2 |
| 4 | 09 12 12 043-00 | base | 1 | 10 |
| 5 | 09 14 10 017 90 | seal | 1 | 2 |
| 6 | 90 31 11 004 00 90 | pin | 1 | 2 |
| 7 | 09 27 98 014-00 | rosette | 1 | 10 |
| 8 | 04 23 10 032 78 90 | fixing set | 1 | 2 |
| 9 | 04 17 11 023 10 90 | distributor | 1 | 2 |
| 10 | 09 30 11 059 90 | disc | 1 | 2 |
| 11 | 09 23 10 012 90 | nut | 1 | 2 |